



# 30205

- Popular item  
- SKF Explorer

## Tapered roller bearings, single row

### Bearing data

[Tolerances,](#)

Normal and CL7C, CLN, Normal and CL, deviating width

### Bearing interfaces

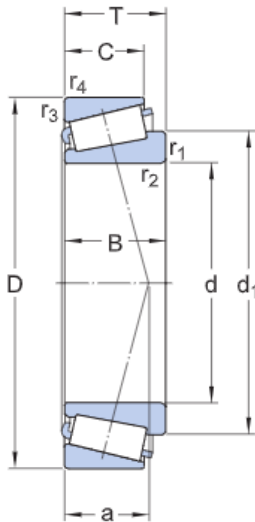
[Seat tolerances for standard conditions,](#)

[Tolerances and resultant fit](#)

## Technical specification

Dimension series

3CC

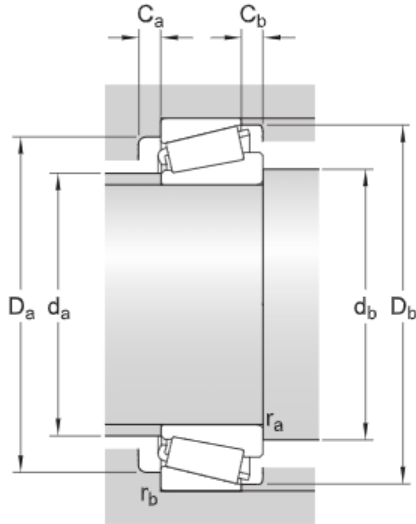


### DIMENSIONS

d	25 mm	Bore diameter
D	52 mm	Outside diameter
T	16.25 mm	Total bearing width
d1	≈38 mm	Inner ring shoulder diameter
B	15 mm	Width inner ring
C	13 mm	Width outer ring
r1,2	min.1 mm	Corner radius inner ring
r3,4	min.1 mm	Corner radius outer ring
a	12.33 mm	Distance pressure point

### ABUTMENT DIMENSIONS

da	max.32 mm	Abutment diameter shaft
	min.31.5	Abutment



$d_b$	mm	diameter shaft
$D_a$	min.44 mm	Abutment diameter housing
$D_a$	max.46 mm	Abutment diameter housing
$D_b$	min.48 mm	Abutment diameter housing
$C_a$	min.2 mm	Abutment housing - axial space at the large side face/ both sides of the outer ring
$C_b$	min.3 mm	Abutment housing - axial space at the small side face/ both sides of the outer ring
$r_a$	max.1 mm	Fillet radius
$r_b$	max.1 mm	Fillet radius

### CALCULATION DATA

Basic dynamic load rating	C	38.1 kN
Basic static load rating	$C_0$	33.5 kN
Fatigue load limit	$P_u$	3.45 kN
Reference speed		11 000 r/min
Limiting speed		13 000 r/min
Calculation factor	e	0.37
Calculation factor	Y	1.6
Calculation factor	$Y_0$	0.9

### MASS

Mass bearing	0.15 kg
--------------	---------